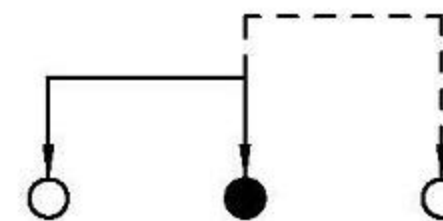
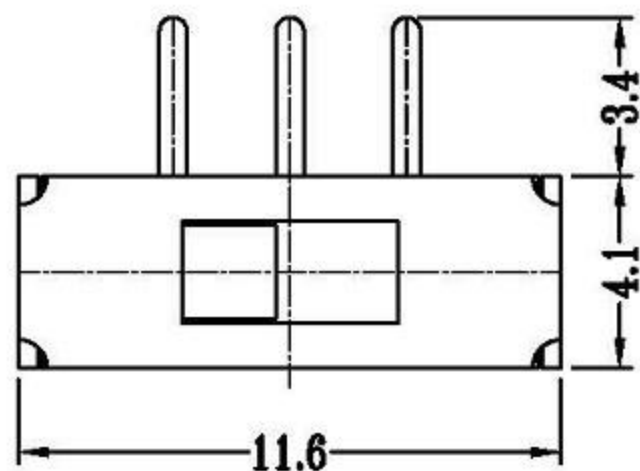
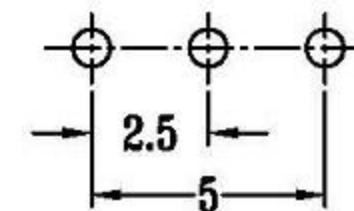
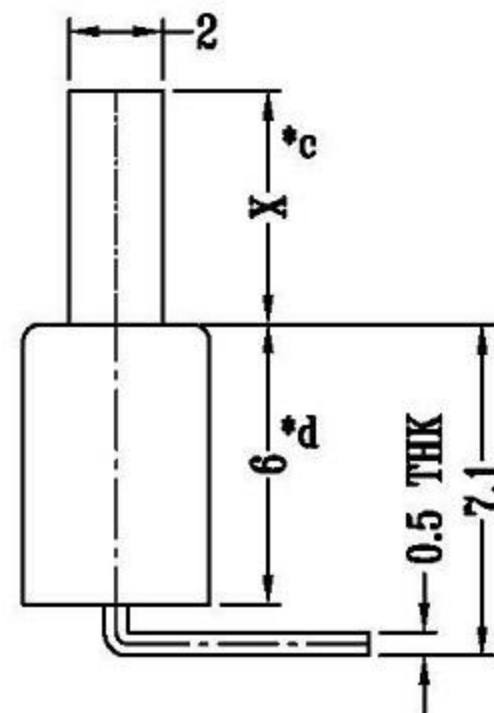
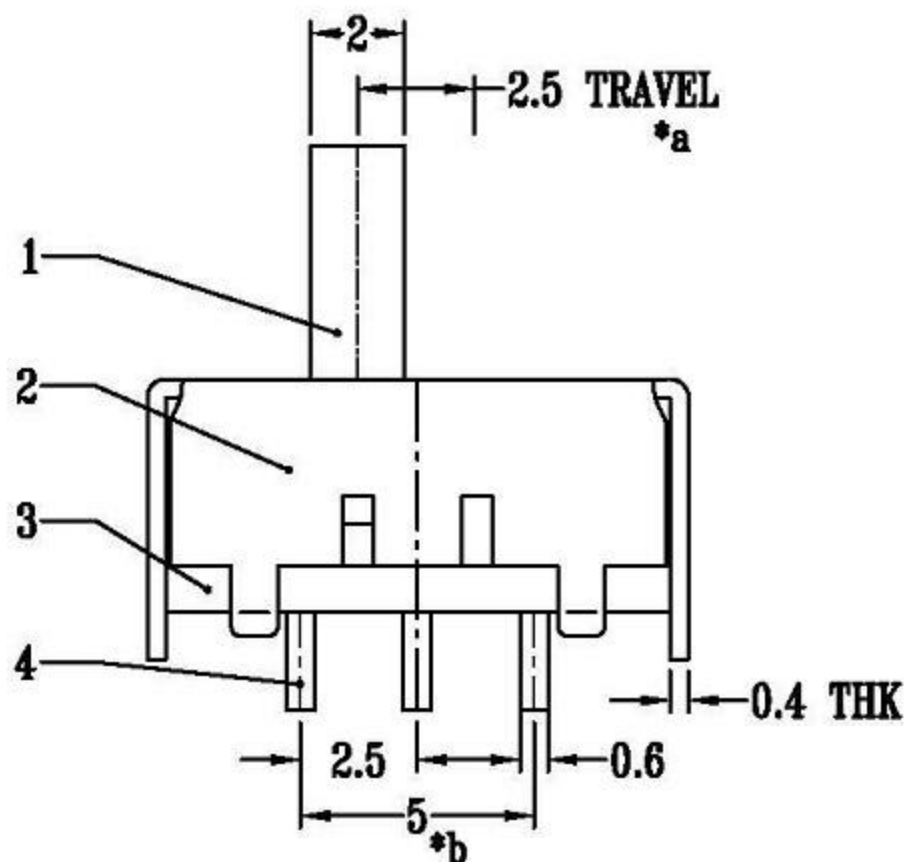


CAD FILE:



SCHEMATIC (SHORTING)



**P.C.B LAYOUT
BOTTOM VIEW**

注：“*”表示关键尺寸(3个)

NO.	PARTS	MATERIALS	Q'TY	FINISH	TOLERANCE UNLESS SPECIFIED		DESCRIPTIONS OF REVISION		APPD.
8					WITHIN 1.5mm : ±0.1mm	A	2012-8-7	初版	李小勤
7					OVER 1.5mm : ±0.2mm	ISSUE	DATE		
5	CONTACT CLIP	PBS STRIP	1	Ag PLATED	TITLE : VERTICAL SLIDE SWITCH		UNIT : mm	DRWG NO.: LT-DR-SS12E21-00	
4	TERMINAL	BRASS STRIP	3	Ag PLATED	MODEL:		SCALE: 4:1	DWN.	吴开庆
3	BASE	PHENOLIC RESIN	1	NATURAL	东莞市高迪电子有限公司		CHK'D	李小勤	2012-8-7
2	FRAME	STEEL STRIP	1	BLACK			APPD.		
1	KNOB	POM	1	WHITE					